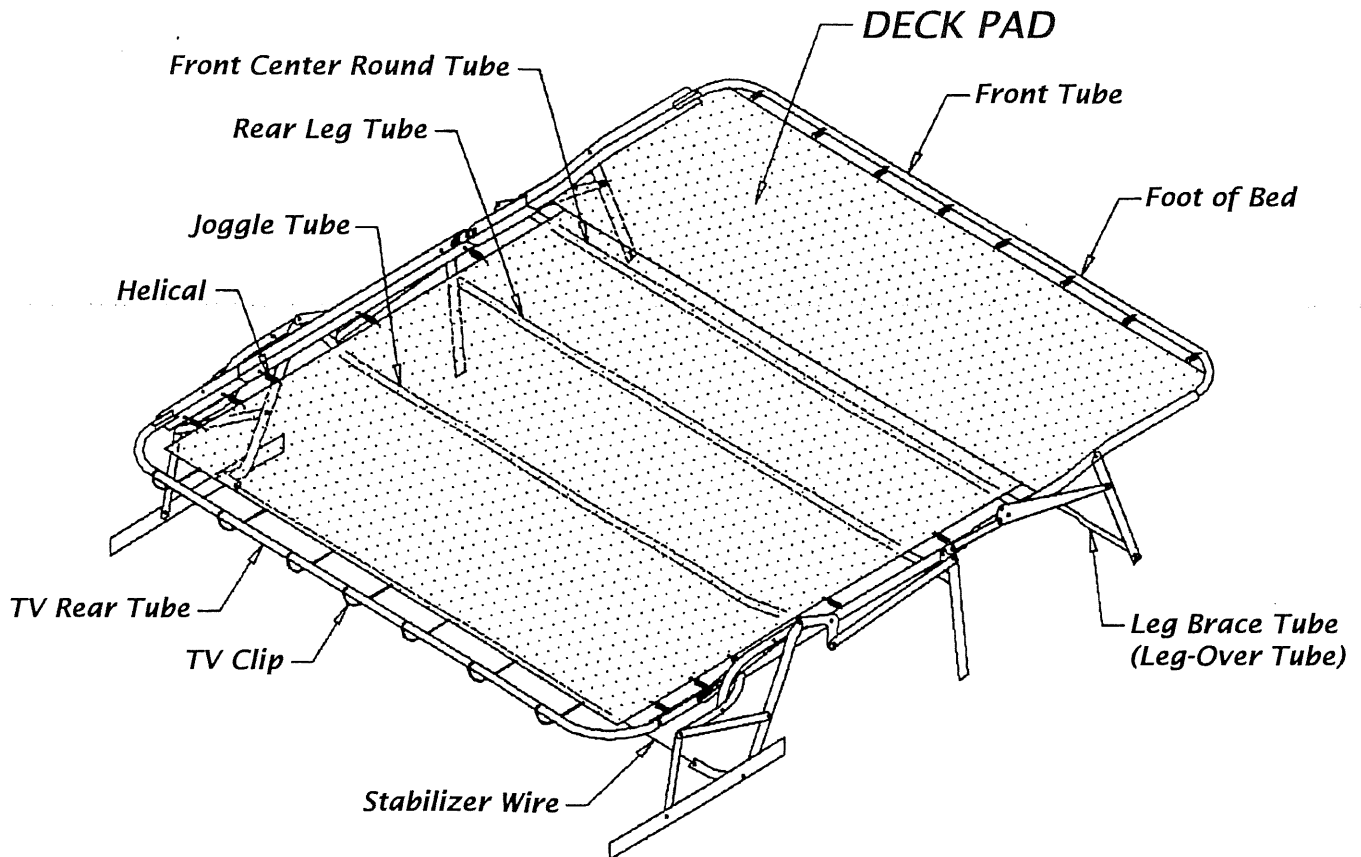


# Deck Pad Installation



## Sheet #1



### Removal of Old Deck Pad:

1. Detach the helicals and t.v. clips from the old deck pad (leave helicals attached to tubes and angles).
2. Remove wires from edges of old deck pad. **Save these wires to use in the new deck pad (label where used).**
3. Chisel off the two rivets at **only one** end of the front center round tube (where bolts are shown on sheet #2).
4. Remove old deck pad from front center round tube.

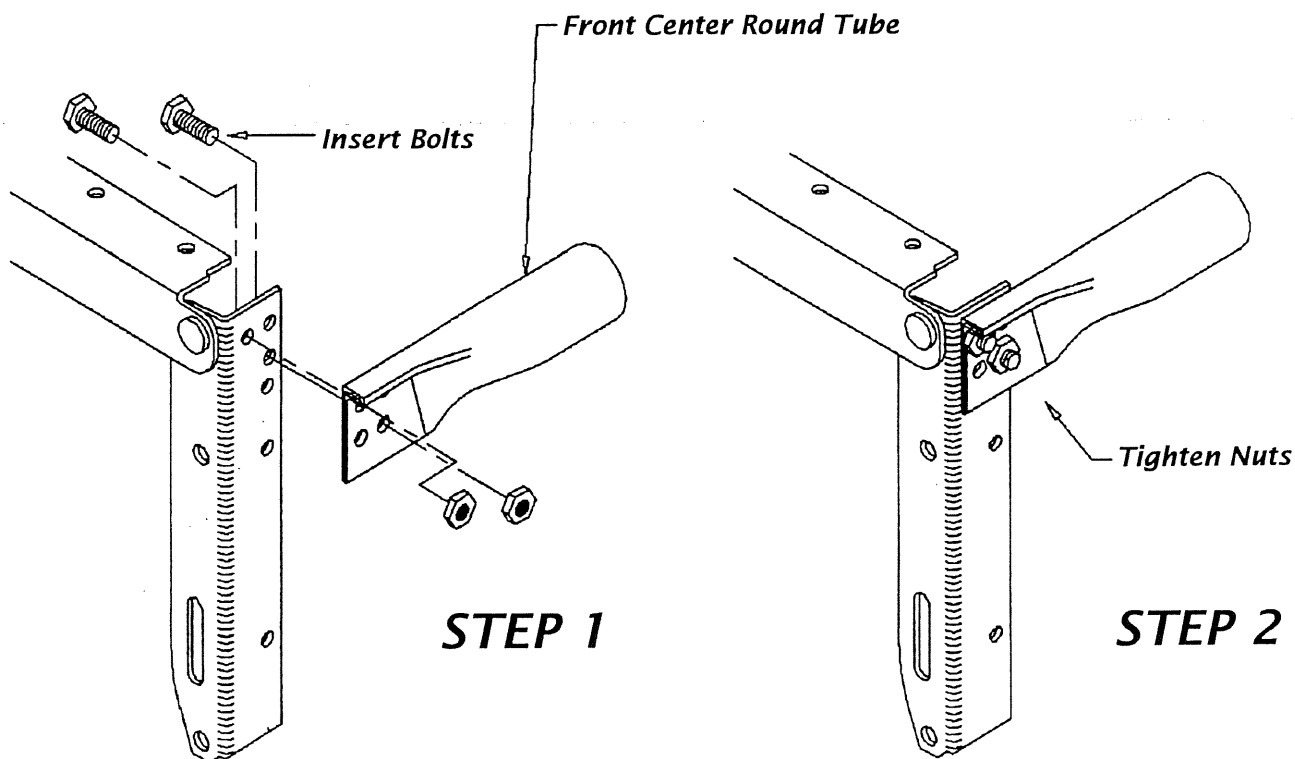
### Installation of New Deck Pad:

1. Slide deck pad onto the front center round tube.
2. Attach loose end of front center round tube using 1/4" bolts and nuts (per sheet #2).
3. Insert wires into edges of new deck pad, in same locations as before.
4. Attach helicals and t.v. clips to deck pad (see sheet #3). **Hint: attach helicals at foot and t.v. clips at head of bed with t.v. headrest in raised position. Lower t.v. headrest before attaching side helicals.**

# Deck Pad Installation



## Sheet #2



Re-attach the front center round tube using the two (2) enclosed  $\frac{1}{4}$ " bolts and nuts as shown above

# Deck Pad Installaton



Sheet #3

## Installation of Helicals on Deck Pad

