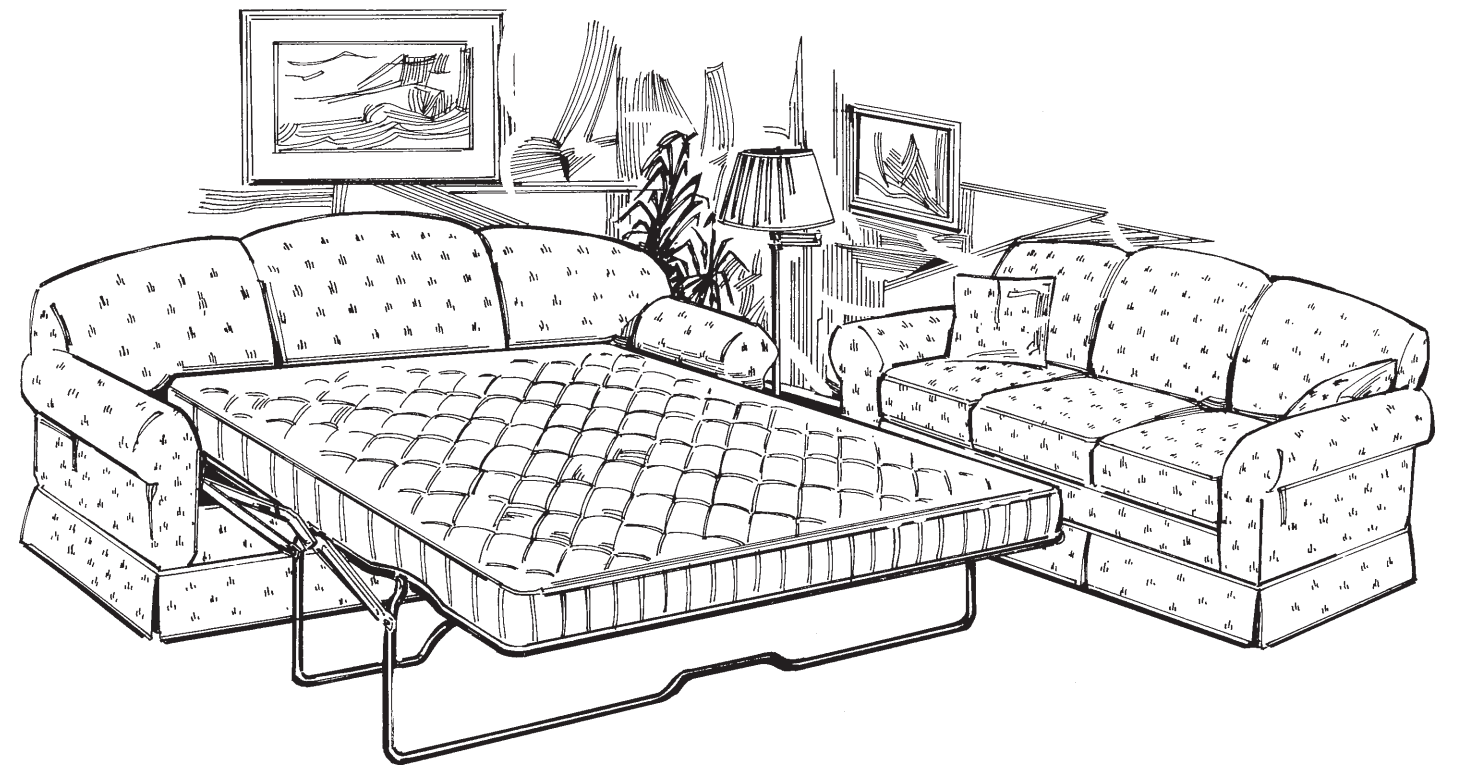


SOFA SLEEPER DECK REPLACEMENT INSTRUCTIONS

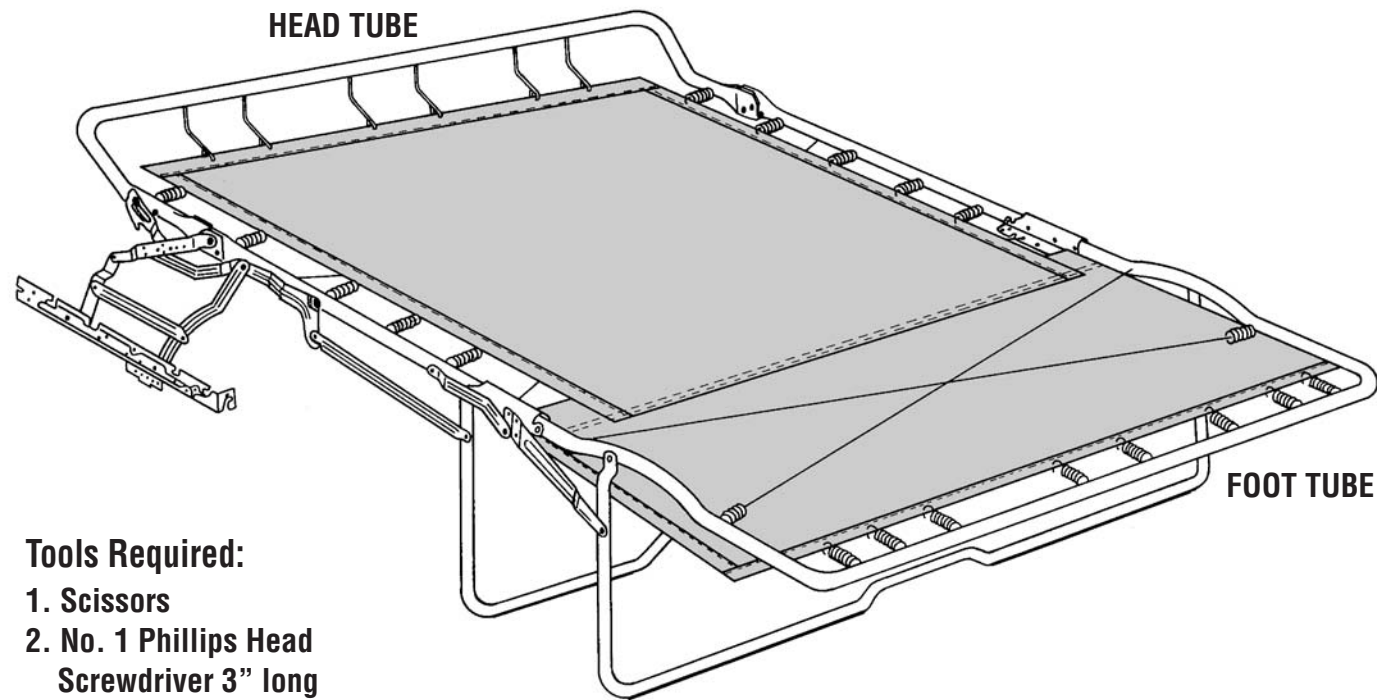


Leggett & Platt[®]
INCORPORATED

Leggett & Platt[®]
INCORPORATED

Before you begin:

It is important to read through all the instructions carefully and familiarize yourself with the unit and the deck replacement procedure.



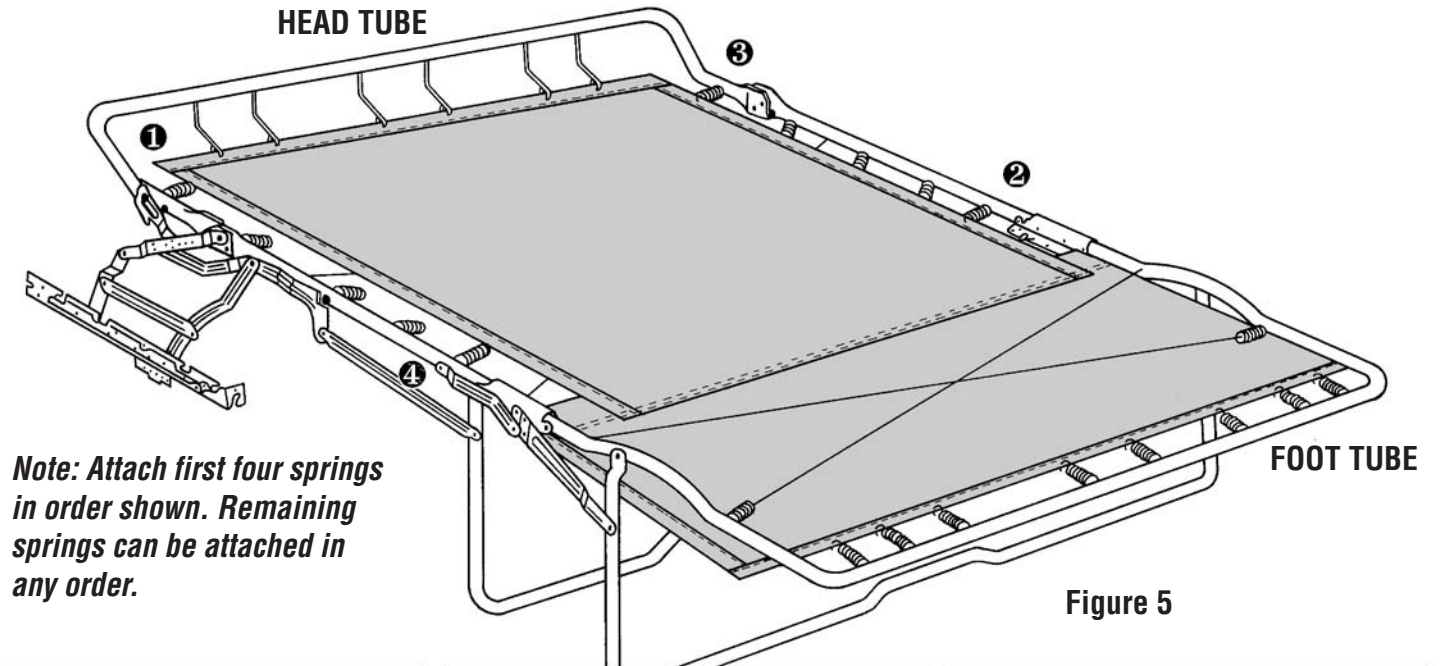
Tools Required:

1. Scissors
2. No. 1 Phillips Head Screwdriver 3" long

Note: Remove perimeter wires from old deck to reuse in replacement deck.

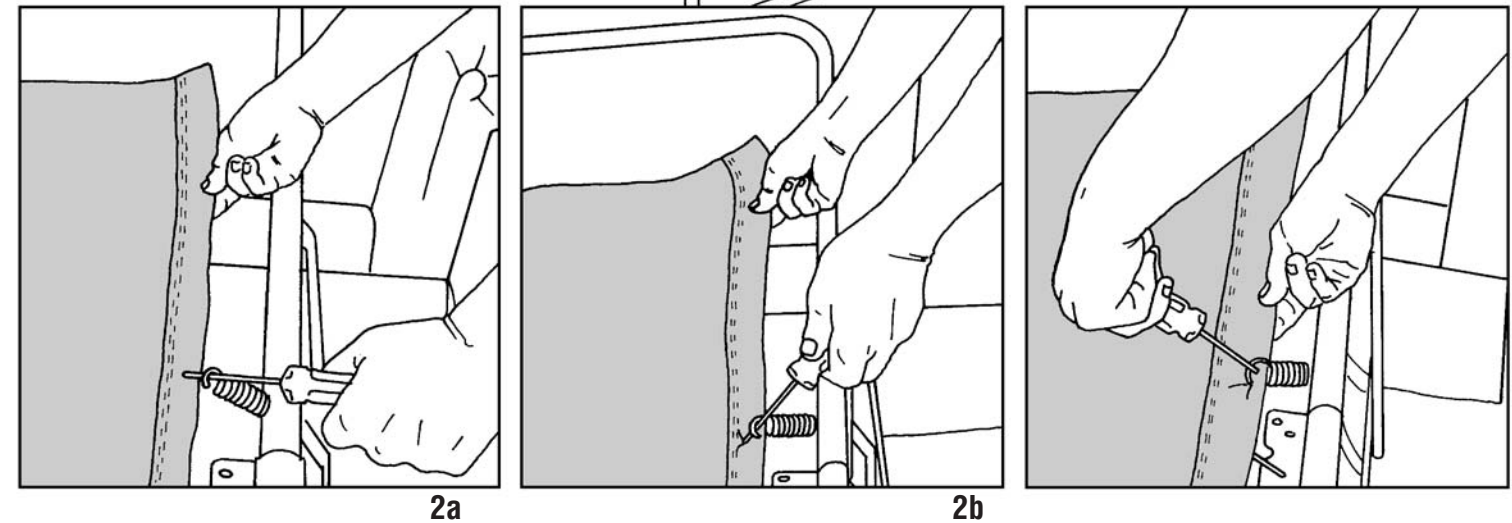
See Replacement Deck Bill of Materials for Series & Sizes

ATTACHING SPRINGS TO DECK AT SIDES



Note: Attach first four springs in order shown. Remaining springs can be attached in any order.

Figure 5



1. Lower the head tube to original position.
2. With a number 1 Phillips head screwdriver, install the spring through both thicknesses of deck and over wire.
 - a. Put the shaft of the screwdriver through the eye of the spring hook.
 - b. Put the point of the screwdriver on the deck where you will be inserting the spring.
 - c. Pushing the screwdriver away from your body and pointing down toward the deck, allow the spring end to punch through the deck.

ATTACHING REAR HOOKS TO DECK

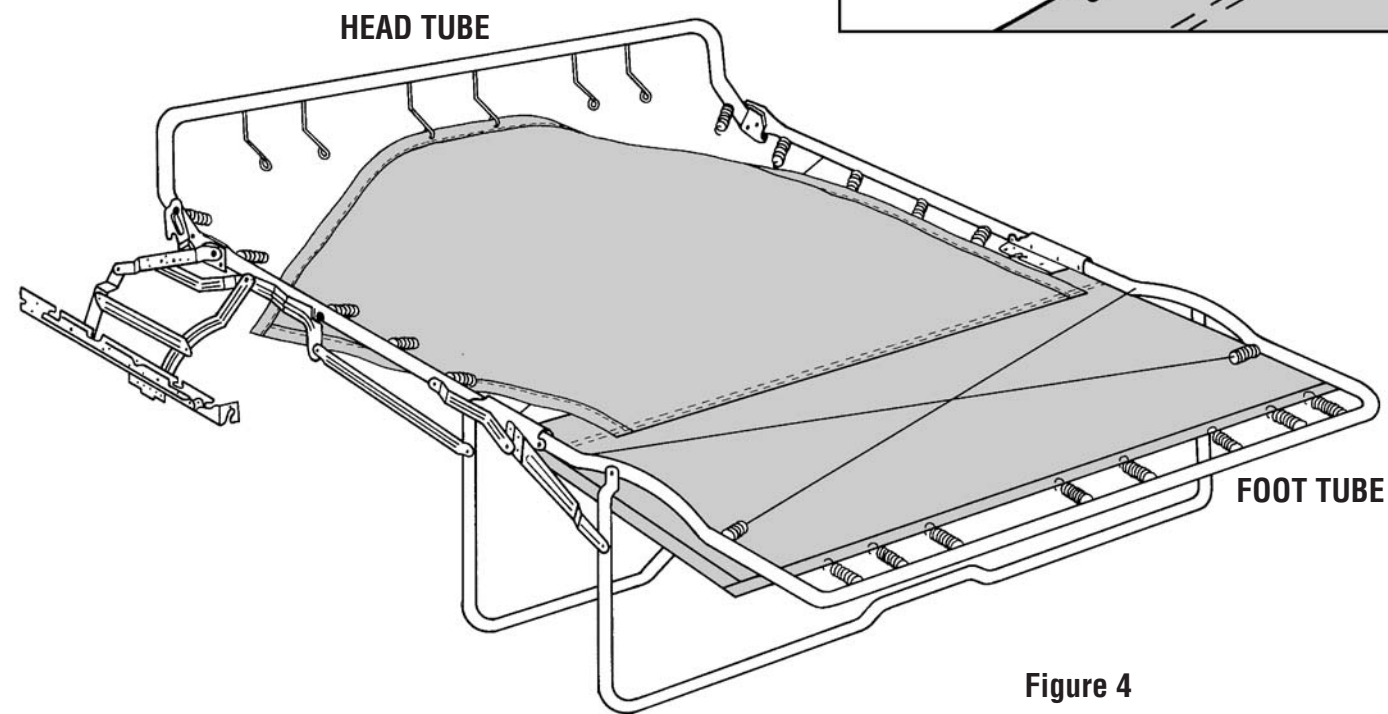
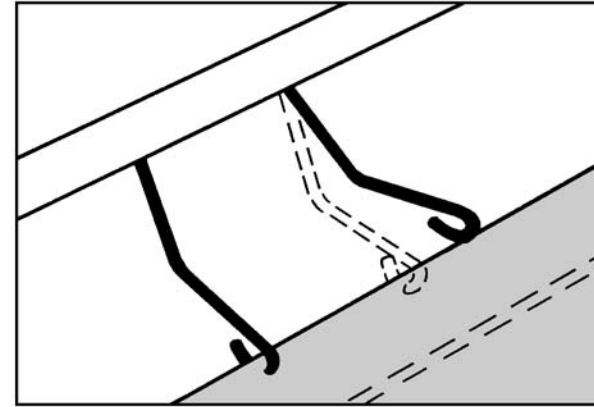


Figure 4

1. Raise the head tube.
2. Center the deck in the back area.
3. Attach the rear hooks with the bow of the hook down.

REMOVING OLD DECK

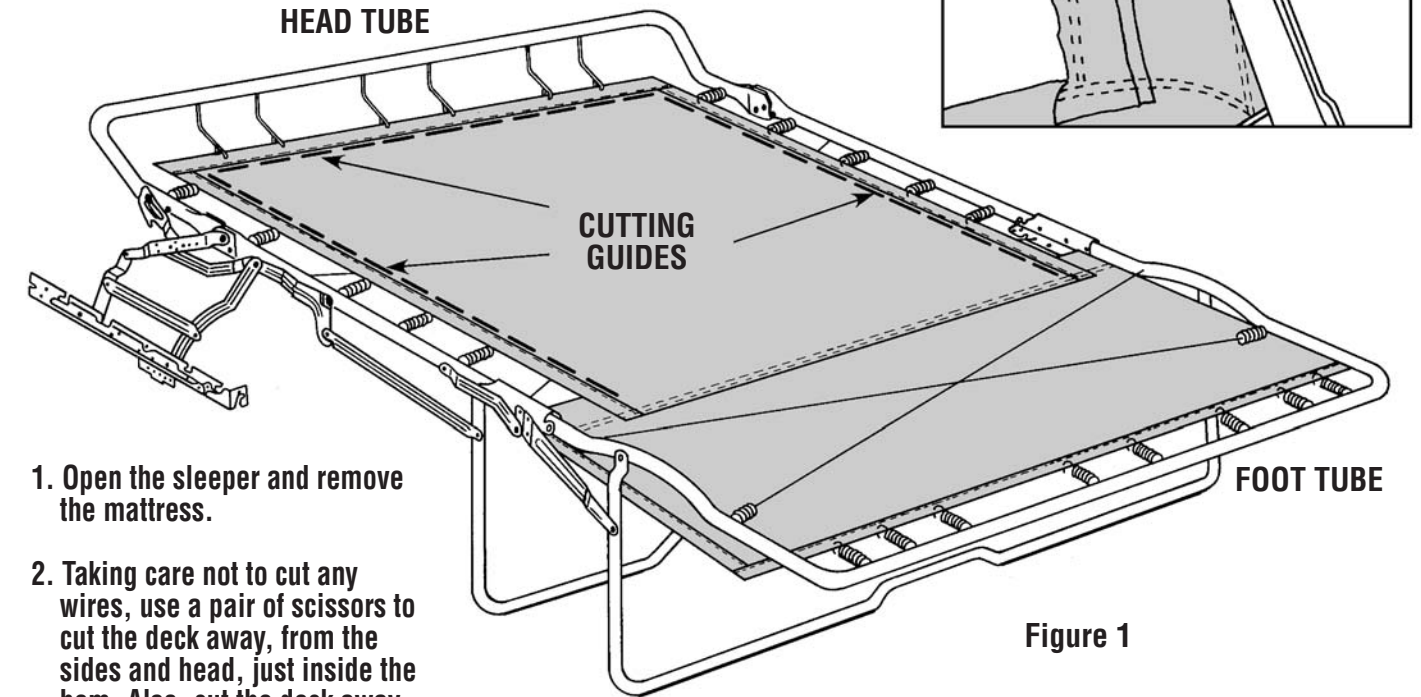
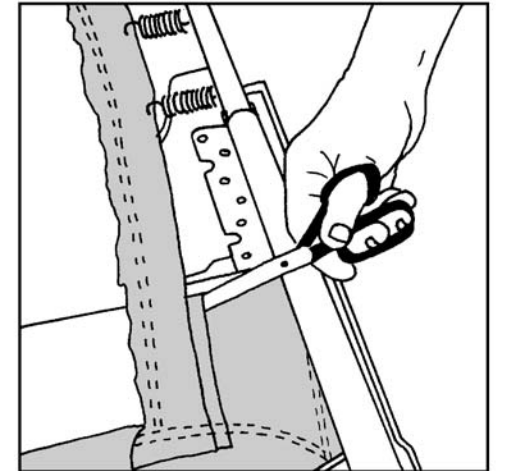
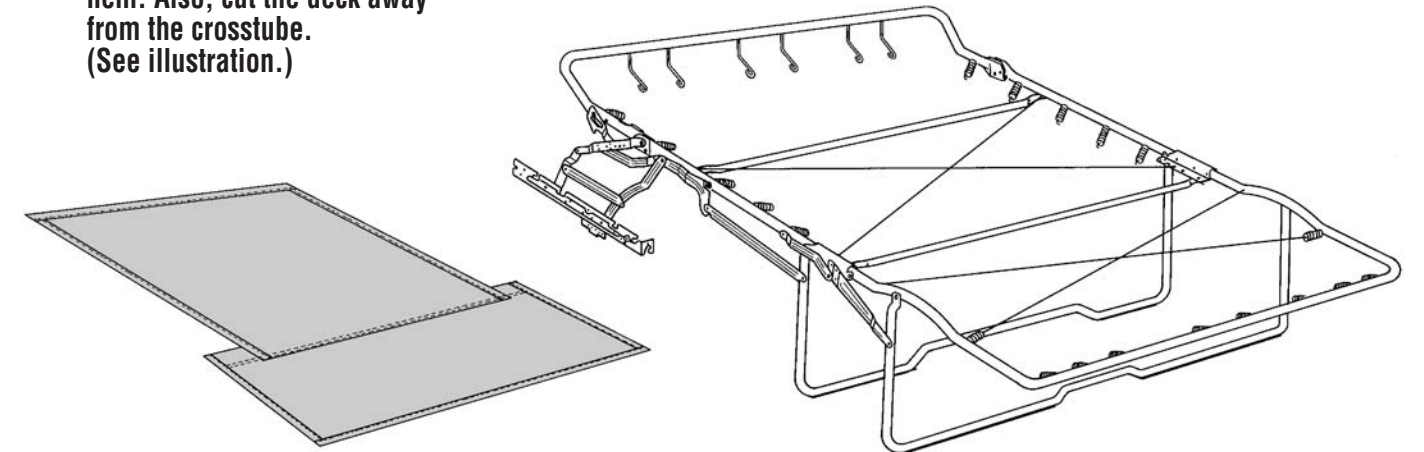


Figure 1

1. Open the sleeper and remove the mattress.
2. Taking care not to cut any wires, use a pair of scissors to cut the deck away, from the sides and head, just inside the hem. Also, cut the deck away from the crosstube. (See illustration.)



1. Unhook the side springs from the deck but leave the springs in place.
4. Unhook the front springs from the deck but leave the springs in place.
5. Unhook the rear hooks from the deck but leave the hooks in place.
6. Remove the wires from the hem of the old deck. There is a wire in each side hem and one in the hem at the head and foot of the deck. Straighten these wires if necessary.
7. Insert the wires in the same positions in the new deck. *Note: The head wire must be punched through the hem. During installation, center the head wire 2 3/8" in from either side of the deck and 4 12" from either side of deck at the foot.*

INSTALLATION OF DECK TO CROSSTUBE

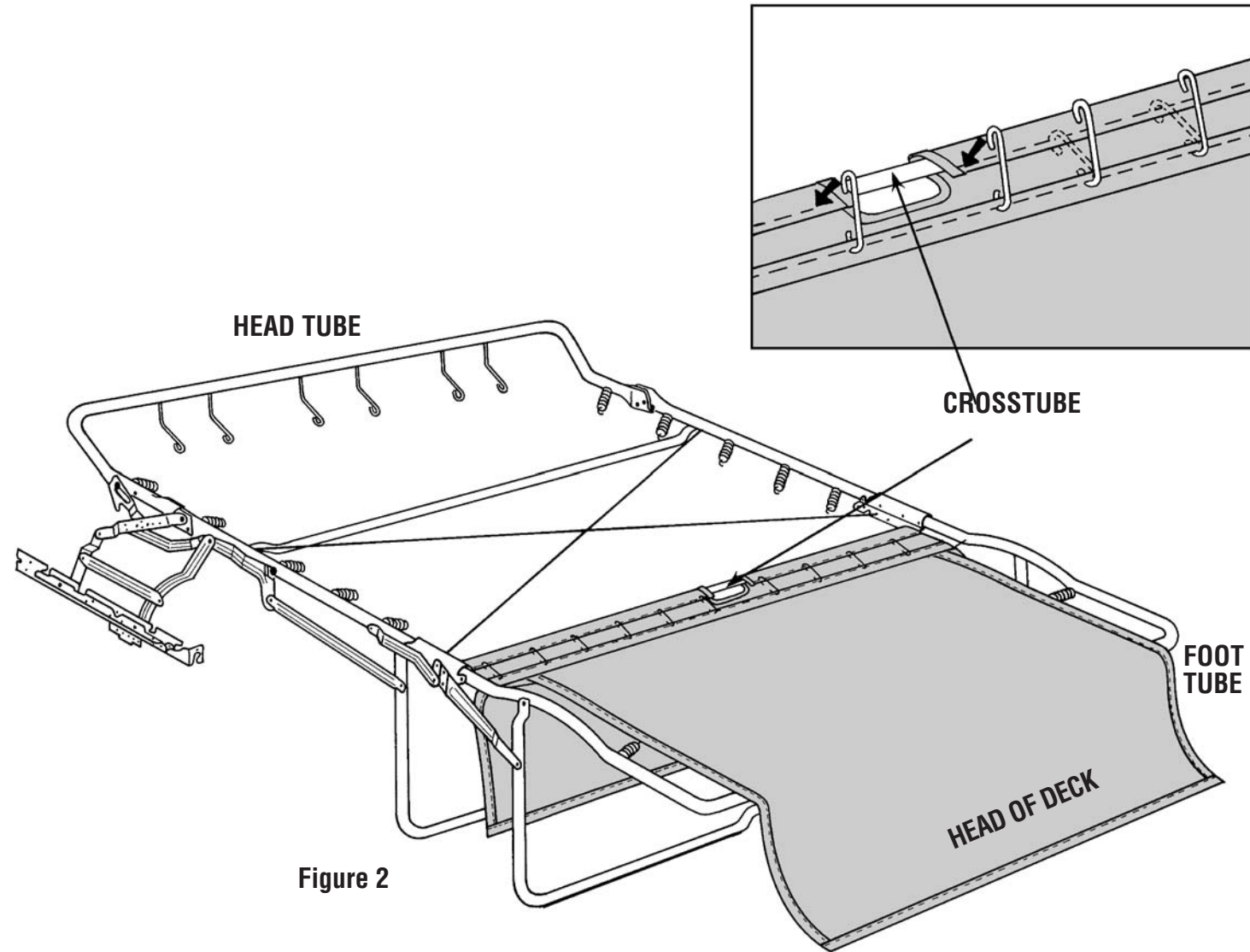


Figure 2

1. To attach the new deck to the crosstube as shown in Figure 2, flip the head of the deck over foot tube. Make sure the folded edge of the hem is facing down. Starting on either side of the hand hole, punch hooks through deck as shown in the close-up illustration. Since the hand hole is off-center, there may be an uneven number of hooks on each side.
2. After hooking the deck to the crosstube, flip the head of the deck back and make sure the foot section of the deck lies under the seat crosswires.*

*Some units may not have seat crosswires.

ATTACHING SPRINGS TO DECK AT FOOT TUBE

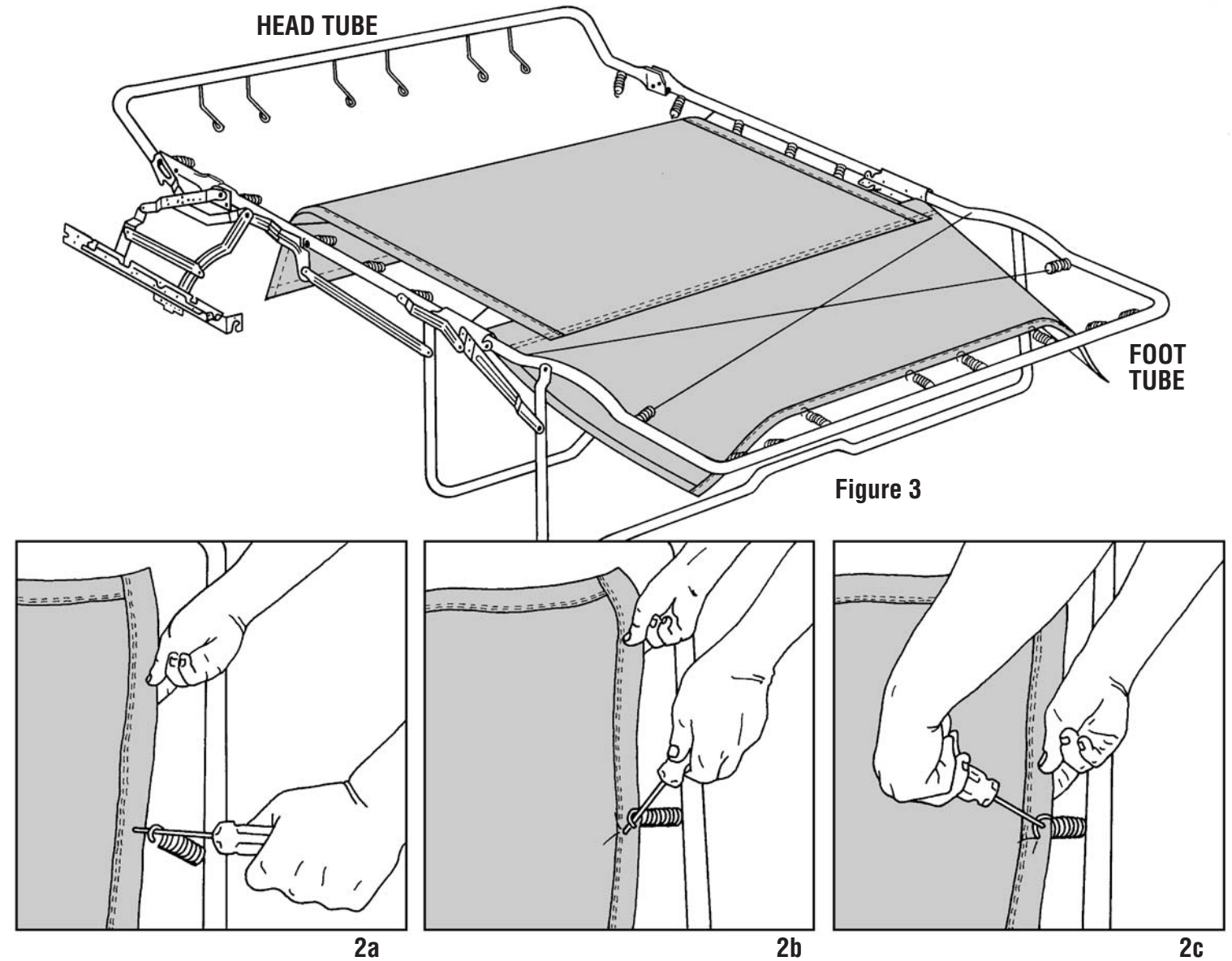


Figure 3

1. After making sure the new deck lies under the seat crosswires, center the deck on the foot tube. Attach the front springs to the front of the deck starting with the corner spring.
2. With a No. 1 Phillips head screwdriver, install the spring through both thicknesses of deck and over wire.
 - a. Put the shaft of the screwdriver through the eye of the spring hook.
 - b. Put the point of the screwdriver on the deck where you will be inserting the spring.
 - c. Pushing the screwdriver away from your body and pointing down toward the deck, allow the spring end to punch through the deck.